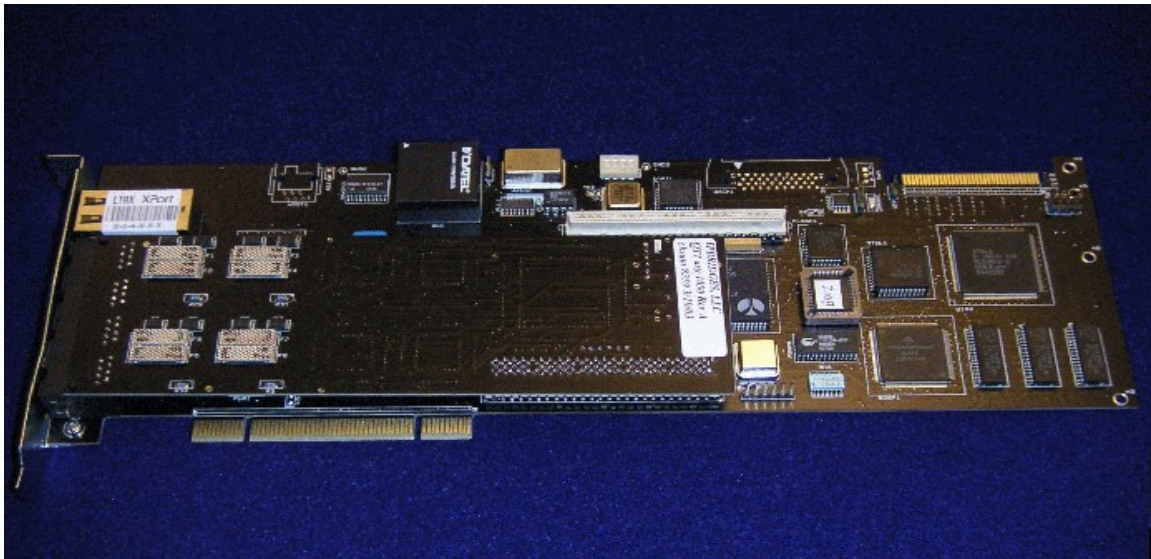




Leaders in VOIP Products and Solutions

IPBridges - IAD120 VOIP Board

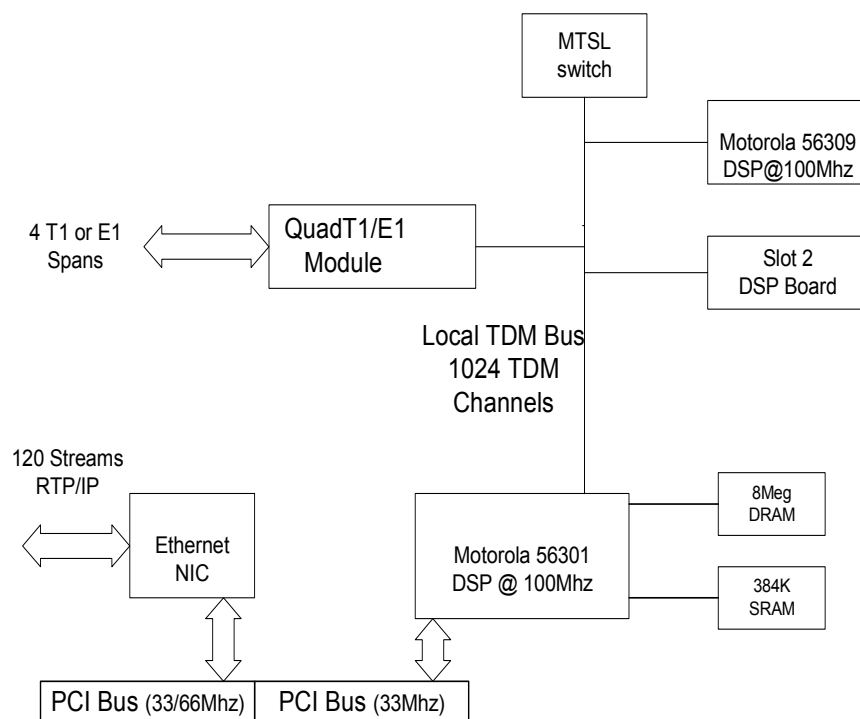


IAD120 Board Specifications:

- | | |
|---------------------------|---|
| Processors: | <ul style="list-style-type: none">- Motorola 56301 DSP and Motorola 56309 DSP @ 100Mhz/ea- Embedded Microprocessor for TDM timeslot switching |
| Memory: | <ul style="list-style-type: none">- SRAM 384K / DRAM 8Meg |
| Interfaces: | <ul style="list-style-type: none">- PCI 2.1 / 2.2 (per Motorola), 33Mhz, 3.3V or 5V- 120 bi-directional, VOIP streams over system NIC- 4 T1 or E1 TDM span interfaces- Expansion slot for Advanced DSP module |
| Included Software: | <ul style="list-style-type: none">- Open API program for complete client / server command and control of IP streams and TDM channels- Open Source device driver and Open Source stacks RTP - SIP- Any-port to any-port switching, DTMF / tone generation, RTP payload detection and generation, DTMF detection (w/ optional DSP module)- PCI Bus Mastering DSP software, reduces system load- UDP/IP and RTP/IP source code with royalty free rtp stack- 240 "Virtual IVR" ports to play / record (IP and TDM channels) |
| Warranty: | <ul style="list-style-type: none">- One year limited hardware warranty |



Leaders in VOIP Products and Solutions



The IPBridges IAD120 board, a complete 120 channel [TDM-IP] Integrated Access Device

IAD120 Features:

- Open Standards based embedded hardware; Motorola* DSP technology
- PCI 2.2 (per Motorola), 32bit, 33Mhz PCI Bus interface @ 3.3V or 5V
- 96 (T1) or 120 (E1) callers X 120 RTP/IP data streams per board
- Included Open Source software provides full host based control
- 240 Virtual IVR ports to play and record in both TDM and IP directions
- Support for multiple boards within a single chassis
- High board value **without** hidden or additional licensing fees